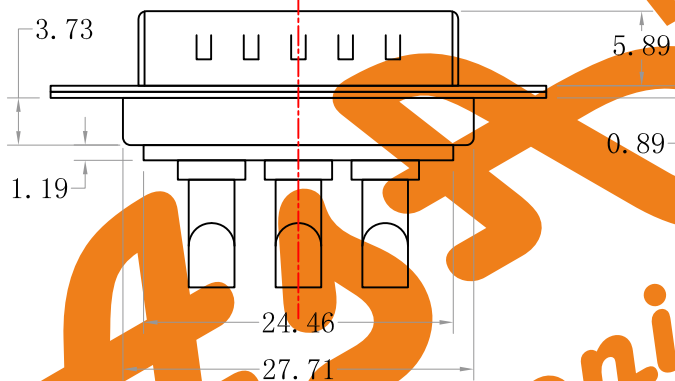
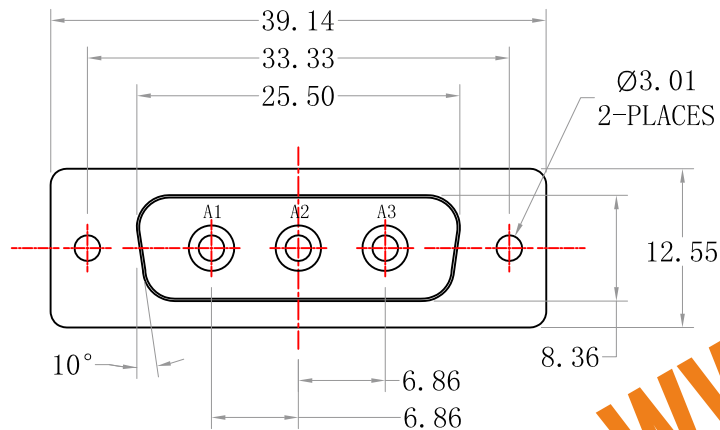
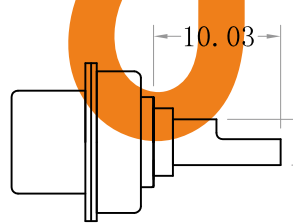


# POWER D-SUB 3W3 SOLDER CUP-MALE

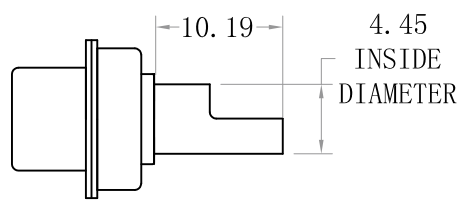
ROHS COMPLIANT



NOTE:  
POWER CONTACTS COME  
PRE-LOADED INTO INSULATORS



20 AMP POWER CONTACTS  
ACCEPTS UP TO 12 AWG WIRE



40 AMP POWER CONTACTS  
ACCEPTS UP TO 8 AWG WIRE

WWW.ASA-ELECTRONIC.COM

## SPECIFICATIONS:

**ELECTRICAL:**  
 INSULATOR RESISTANCE: 5,000 MegOHMS Min.  
 DIELECTRIC WITHSTANDING: 1,000 VAC r. m. s.  
 OPERATING TEMPERATURE: -55°C ~ +125°C  
 CONTACT RESISTANCE: 30 MILLIOHMS Max.  
 POWER PINS: SEE PART No. BELOW

**MECHANICAL:**  
 CONTACT INSERTION FORCE: 4.5kg Max  
 CONTACT SEPARATOR FORCE: 0.3kg Min  
**MATERIALS:**  
 CONTACTS: BRASS  
 INSULATOR: PBT UL94V-0 RATED,  
 230°C PROCESS TEMP.

**SHELL:** STEEL  
**FINISH:** NICKEL  
**SHELL:** NICKEL

## Ordering Code:

PDB3W3 -M -GO -B -20 -00  
 ① ② ③ ④ ⑤ ⑥

- ① Series
- ② Contact Type:  
M: Male F: Female
- ③ Contact NO.:  
G0: Gold flash G1: 3u" Gold  
G2: 5u" Gold G3: 10u" Gold  
G4: 15u" Gold G5: 30u" Gold
- ④ Insulation Color Code:  
B: Black L: Blue  
W: White
- ⑤ Power AMP:  
10 = 10AMPS; 20 = 20AMPS;  
30 = 30AMPS; 40 = 40AMPS;
- ⑥ Series no

Unless Otherwise specified tolerance  
 X: ±0.35  
 X.X: ±0.25  
 X.XX: ±0.20  
 X.XXX: ±0.15



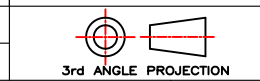
SCALE: 1:1 UNIT: mm

ASA Electronic Co.  
 Tel : (+98) 21 66 73 56 82 Mob : (+98) 912 03 161 02

DRAWN: junfon H  
 CHECKED: YANG

TITLE:  
 POWER D-SUB 3W3 SOLDER CUP-MALE

12/5/3  
 DATE



DRAWING NO: PDB3W3-MXXXXX00  
 PRODUCT NO: PDB3W3-MXXXXX00